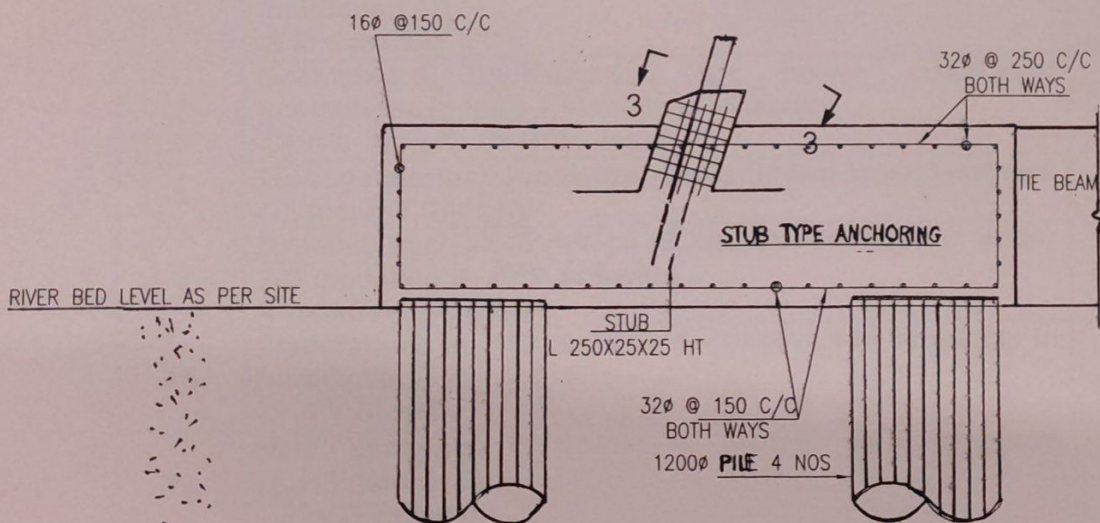


INDIAN GEOTECHNICAL SOCIETY
BARODA CHAPTER
WITH
SUPPORT OF SOCIETY OF POWER ENGINEERS



Proceeding volume
Of
National workshop
On
**GEOTECHNICAL CONSIDERATIONS
FOR
POWER EQUIPMENT FOUNDATIONS**
(G-PEF-14)



INDIAN GEOTECHNICAL SOCIETY
BARODA CHAPTER
Race Course Circle, GERI Campus
VADODARA-390007

**NATIONAL WORKSHOP ON
GEOTECHNICAL COSIDERATIONS FOR POWER
EQUIPMENT FOUNDATIONS
(G-PEF-14)**

INDEX

Sr.No.	Paper	page
	Preface	1
1	Challenges & experience in tunneling in Himalayan geology using tunnel boring machine -Arun Kumar	2
2	Case study on foundation system for new generation EHV substation -Kunal Jain , Mahesh Ambardekar	6
3	Power plant equipments and Geotechnical considerations -J M Katudia	14
4	Case study of special under reamed piles for 220/ 33 kv sub station -Shreedhar Rana , S M Takalkar	41
5	Pile foundation for transmission tower at river crossing or at special locations -Ms Dhvani Shah	61
6	Geotechnical aspects of transmission line tower foundation -S M Takalkar	109
7	Geotechnical investigation for power equipment foundations in India – viability & reliability -Dr A V Shroff , Dr Nitin Joshi	120
8	Turbogenerator Foundation- Geotechnical considerations - Jignesh V Chokshi	124
9	Dynamic analysis & design of machine foundation under 3-D modeling by FEM software -Chandresh Pandya	125
10	Foundations in difficult soils & construction problems in bored pile Dr A V Shroff	126
11	New concepts in tower & switch yard structure foundation design - S M Takalkar	142